

Slewing Drive Performance Parameters (Elevation)	
Rated Output Speed	0.025 rpm
Output Torque	7200 N.m
Tilting Moment	10 kN.m
Holding Torque	42 kN.m
Static Axial Rating	100 kN
Static Radial Rating	160 kN
Dynamic Axial Rating	50 kN
Dynamic Radial Rating	41 kN
Gear Ratio	60 : 1
Precision	≤ 0.17 °

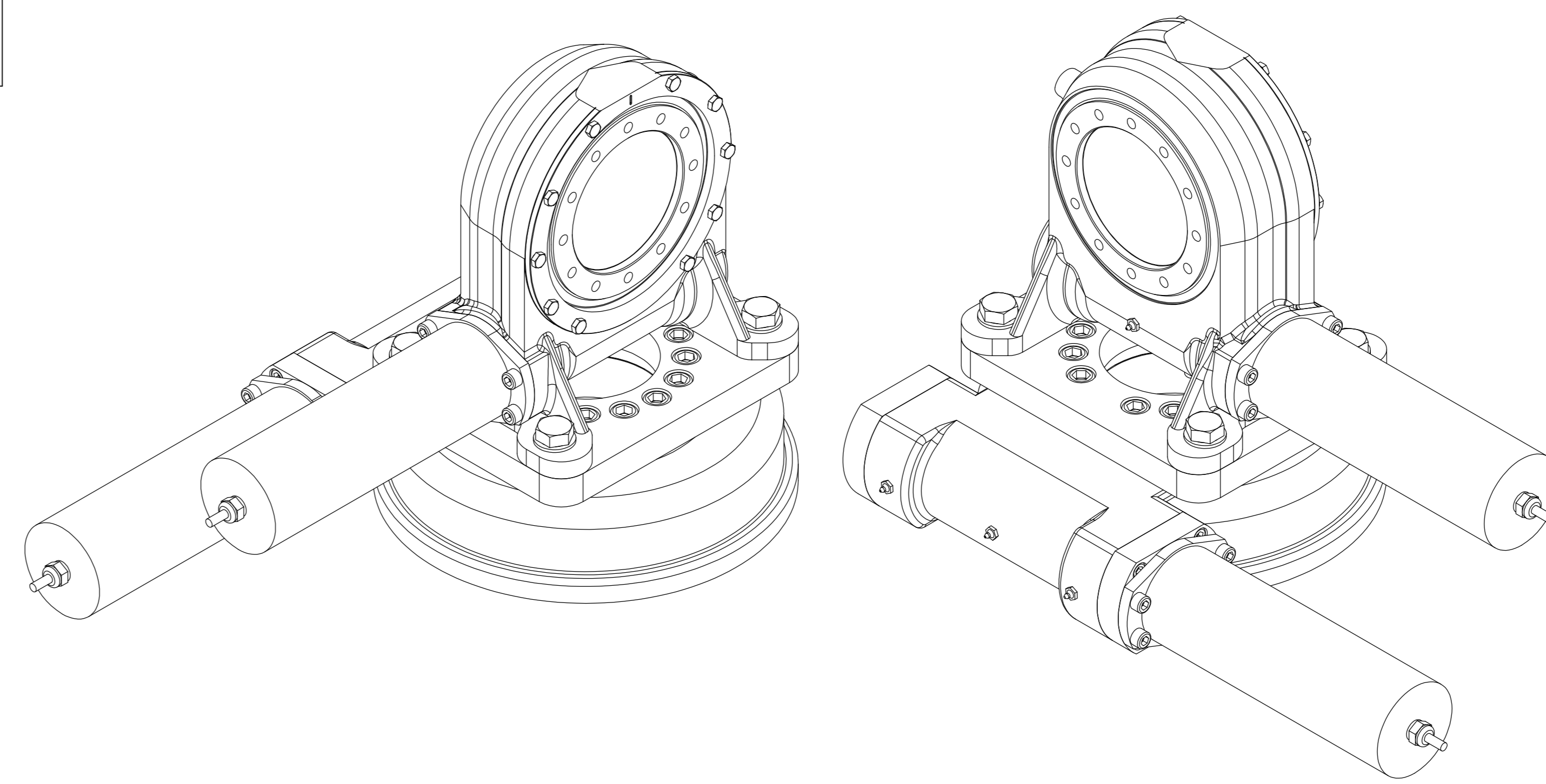
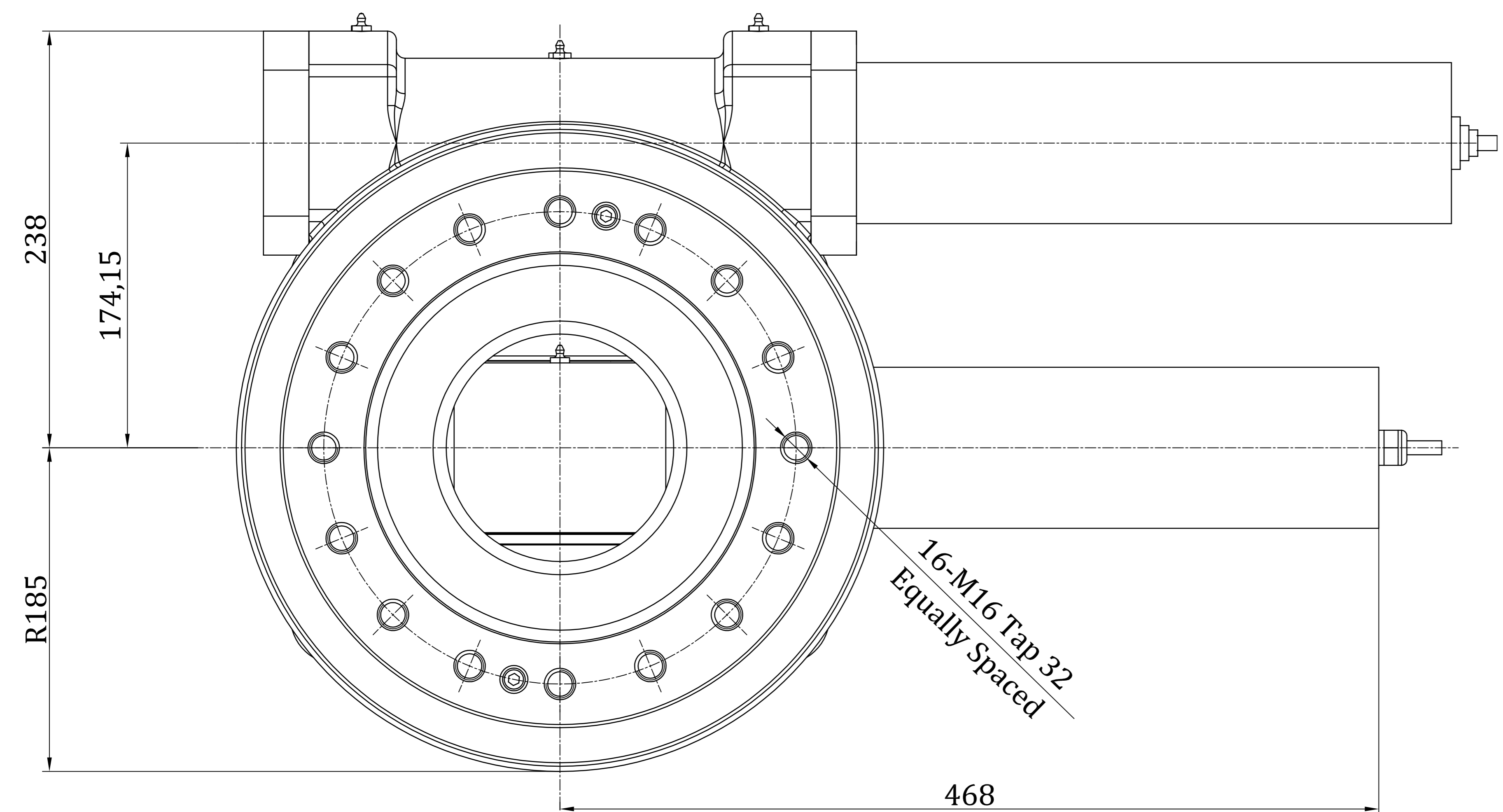
24VDC Reducer Motor Performance Data (24/15/300)	
Rated Current	≤7A
Rated Speed	1.5 rpm
Rated Output Torque	300 N.m
IP Class	IP 65


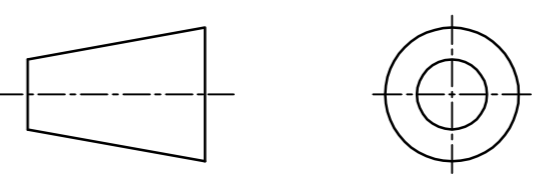
Slewing Drive Performance Parameters (Horizontal)	
Rated Output Speed	0.025 rpm
Output Torque	7320 N.m
Tilting Moment	33.9 kN.m
Holding Torque	38.7 kN.m
Static Axial Rating	338 kN
Static Radial Rating	135 kN
Dynamic Axial Rating	81 kN
Dynamic Radial Rating	71 kN
Gear Ratio	61 : 1
Precision	≤ 0.17 °

24VDC Reducer Motor Performance Data (24/15/300)	
Rated Current	≤7A
Rated Speed	1.5 rpm
Rated Output Torque	300 N.m
IP Class	IP 65

Wire Define:  
 Pin 1 (Black) motor -  
 Pin 2 (Red) motor +  
 Pin E (Green) ground



REV	DATE	REVISER	REVISER								
DESIGNED BY	2020/4/29	Li Ming	 <a href="http://www.coresundrive.com">www.coresundrive.com</a> Coresun Drive Equipment Changzhou Co.,Ltd.								
CHECKED BY	2020/4/29	Rui Wang									
APPROVED BY	2020/4/29	Shane Zhang									
ALL PROPRIETARY RIGHTS IN THE SUBJECT MATTER HERE OF ARE RESERVED, AND NO PERMISSION IS GRANTED OR TO DISCLOSE REPRODUCE THIS PRINT IN WHOLE OR IN PART, ANY OF THE INFORMATION TO OTHERS.											
SYMBOLS ISO			<table border="1"> <tr> <td>WEIGHT</td> <td>SCALE</td> </tr> <tr> <td>128 kg</td> <td>1 : 5</td> </tr> <tr> <td>SIZE</td> <td>A3</td> </tr> <tr> <td>SHEET</td> <td>1 / 1</td> </tr> </table>	WEIGHT	SCALE	128 kg	1 : 5	SIZE	A3	SHEET	1 / 1
WEIGHT	SCALE										
128 kg	1 : 5										
SIZE	A3										
SHEET	1 / 1										
SVH9-60S61-RC-2415300			<table border="1"> <tr> <td>REV</td> </tr> <tr> <td>A</td> </tr> </table>	REV	A						
REV											
A											